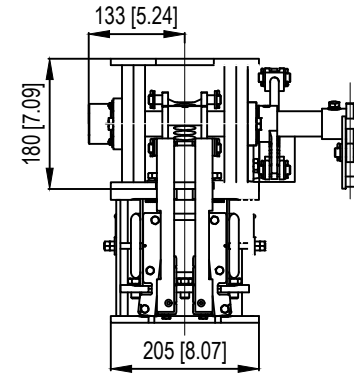
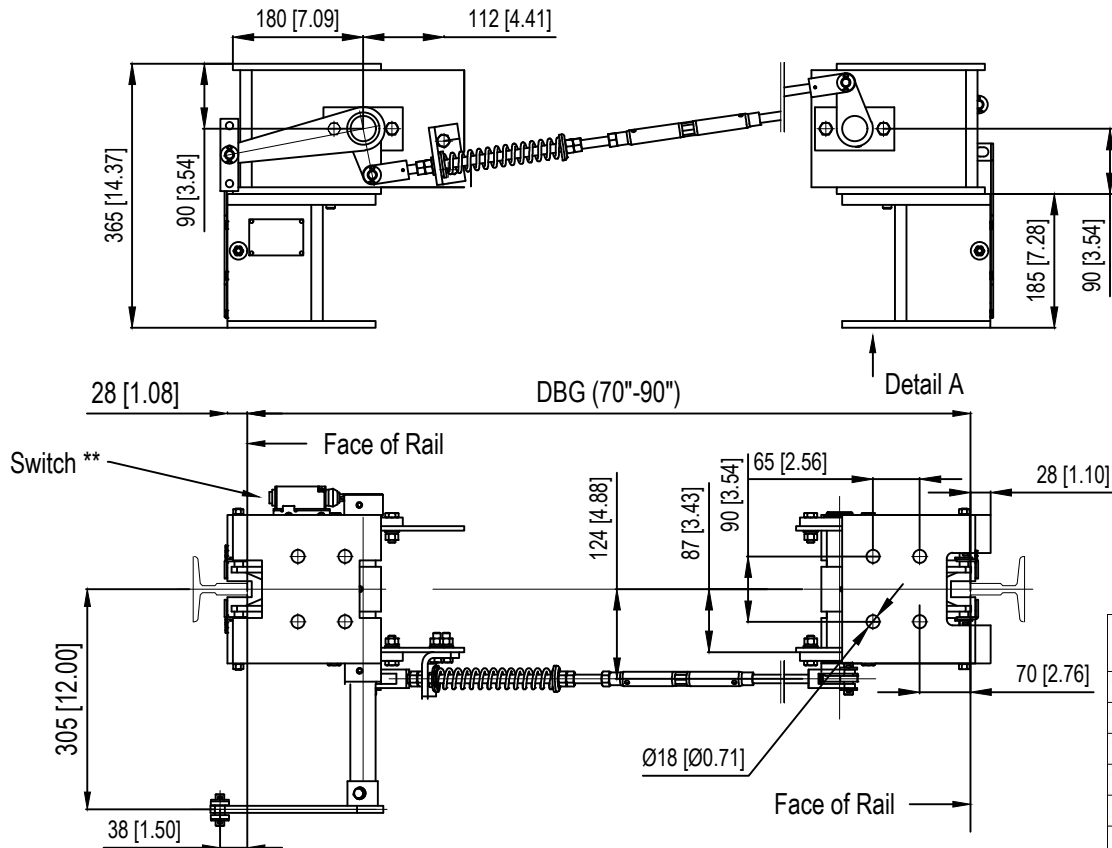
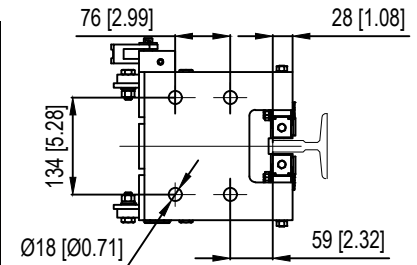


A		B			C		D			E
Part Number	Model	Max Speed (FPM)	Min P+Q* (lb)	Max P+Q* (lb)	Min/Max Activation Force (lbs)	Guide Rail (lbs/ft)	Weight (lbs/set)	Lubricated Rails	Gov. Location	
SAF10-070050-Q13	QJB2500	500	2640	7000	45/337	8#,12#,15#	178	No	Q1, Q3	
SAF10-099050-Q13	QJB2500	500	7000	10500	45/337	8#,12#,15#	178	No	Q1, Q3	



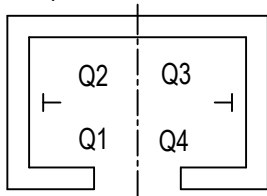
Detail A
Mounting Pattern For Roller Guide



DBG (inches)	Pull rod length (mm)	Cut off length (mm)
70"-72.05"	964	500
72.06"-76"	1064	400
76.01"-79.95"	1164	300
79.96"-83.86"	1264	200
83.9"-87.8"	1364	100
87.83"-90"	1464	0

Note:

- * P+Q = Car Weight + Capacity + Compensation
- ** UL certified switch SUNS SND4111-SP-A(L35)
- ** Include 1X wire rope thimble (GB/T5976-2000) and 4X clip (GB/T5974.1-2006) for 3/8" dia. rope
- ** Use 10mm pin for connection to meet safety factor request



Copyright - All information contained in this drawing is property of Standard Elevator Systems LLC

DRAWING NO: SAF10-Q13		Sheet 1 of 1	
DESCRIPTION: Progressive Safety Gear Q13			
		MATERIALS: ASSEMBLY	Scale: NTS
All Dimensions are in mm [Inches]			
Date	Rev.	ECO #	Des/App
9/30/2021	C	-	JZ/SY
12/9/2020	A	-	NG/
2/11/2021	B	-	JZ/SY

GENERAL TOLERANCES:

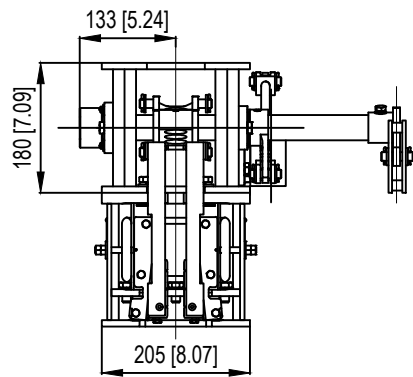
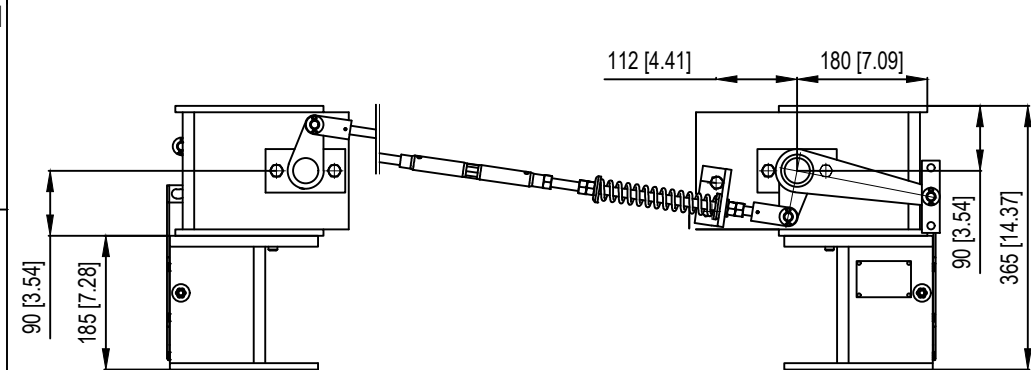
- >6-30mm: ±0.2 [0.008]
- >30-120mm: ±0.3 [0.012]
- >120-400mm: ±0.5 [0.020]
- >400-1000mm: ±0.8 [0.031]
- >1000-2000mm: ±1.2 [0.047]

UNLESS SHOWN OTHERWISE



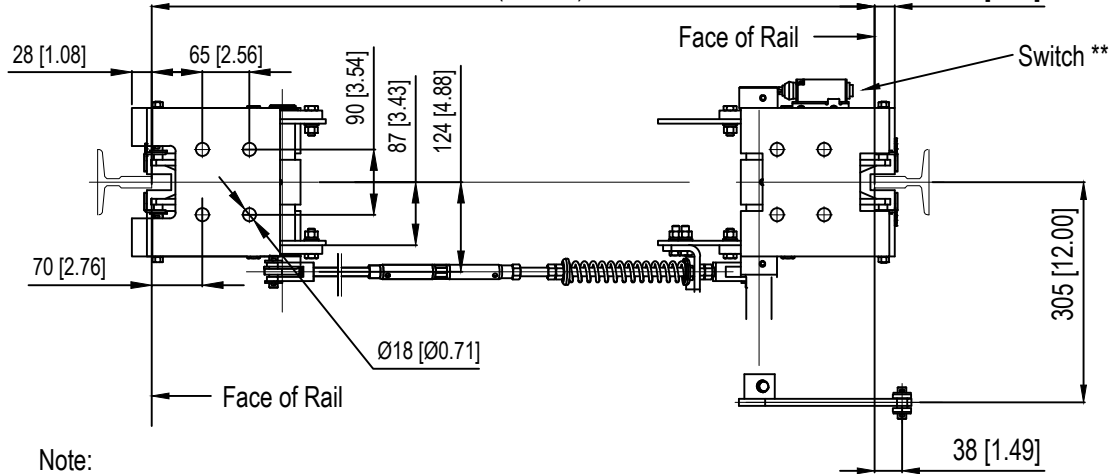
www.standard-elevator.com
4949 E. Raines Road #101
Memphis, TN 38118
Phone: 1-877-622-2888
Fax: 901-290-1680

A		B			C		D			E
Part Number	Model	Max Speed (FPM)	Min P+Q* (lb)	Max P+Q* (lb)	Min/Max Activation Force (lbs)	Guide Rail (lbs/ft)	Weight (lbs/set)	Lubricated Rails	Gov. Location	
SAF10-070050-Q24	QJB2500	500	2640	7000	45/337	8#,12#,15#	178	No	Q2, Q4	
SAF10-099050-Q24	QJB2500	500	7000	10500	45/337	8#,12#,15#	178	No	Q2, Q4	



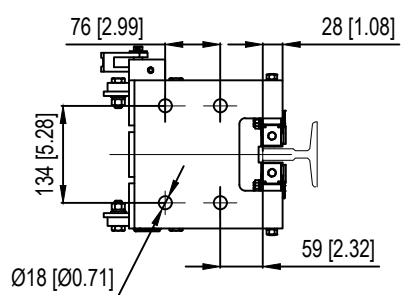
Detail A

DBG (70"-90")

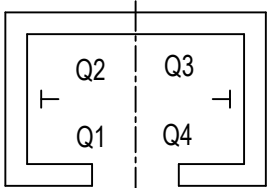


DBG (inches)	Pull rod length	Cut off length
70"-72.05"	964	500
72.06"-76"	1064	400
76.01"-79.95"	1164	300
79.96"-83.86"	1264	200
83.9"-87.8"	1364	100
87.83"-90"	1464	0

Detail A
Mounting Pattern For Roller Guide



- Note:
- * P+Q = Car Weight + Capacity + Compensation
 - ** UL certified switch SUNS SND4111-SP-A(L35)
 - ** Include 1X wire rope thimble (GB/T5976-2000) and 4X clip (GB/T5974.1-2006) for 3/8" dia. rope
 - ** Use 10mm pin for connection to meet safety factor request



Copyright - All information contained in this drawing is property of Standard Elevator Systems LLC

DRAWING NO: SAF10-Q24		Sheet 1 of 1	
DESCRIPTION: Progressive Safety Gear Q24			
		MATERIALS: ASSEMBLY	Scale: NTS
All Dimensions are in mm [Inches]			
Date	Rev.	ECO #	Des/App
9/30/2021	C	-	JZ/SY
12/9/2020	A	-	NG/
2/11/2021	B	-	JZ/SY

GENERAL TOLERANCES:

- >6-30mm: ±0.2 [0.008]
- >30-120mm: ±0.3 [0.012]
- >120-400mm: ±0.5 [0.020]
- >400-1000mm: ±0.8 [0.031]
- >1000-2000mm: ±1.2 [0.047]

UNLESS SHOWN OTHERWISE



www.standard-elevator.com
4949 E. Raines Road #101
Memphis, TN 38118
Phone: 1-877-622-2888
Fax: 901-290-1680