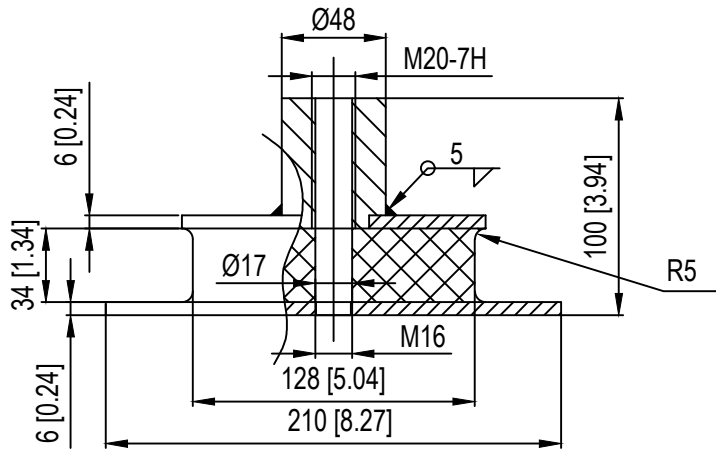
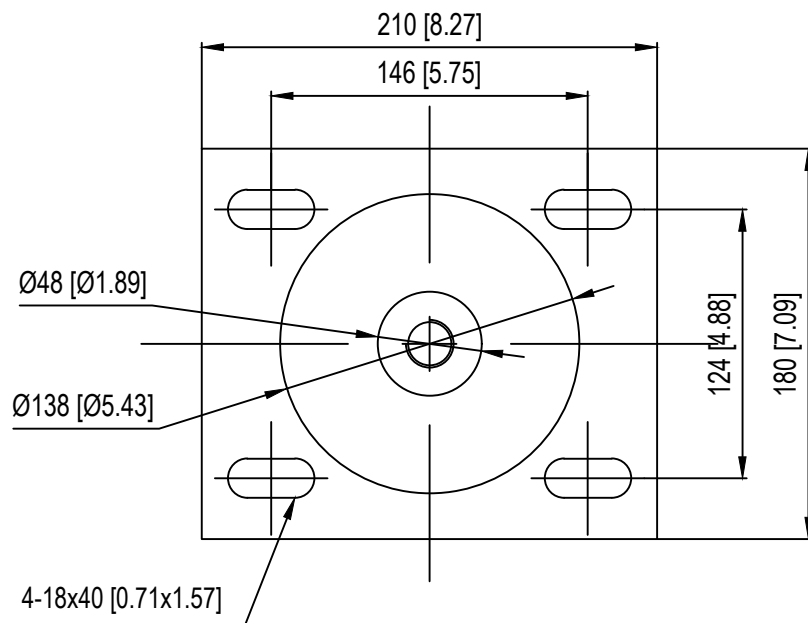
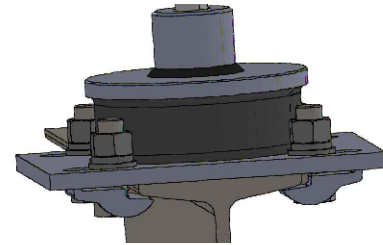


Part #	Hardness	Deformation	Adhesion Strength
RBISN-A	HS 80±5	2mm/1200kg	≥ 25 kg/cm ²



FRONT VIEW



PLAN VIEW

Note:
Black surface finishing

Copyright - All information contained in this drawing is property of Standard Elevator Systems LLC

BILL OF MATERIAL			
SR.	PART #	DESCRIPTION	QTY
1	RBISN-A	Isolation Pad	1
2	HDW-ISO-KIT	Isolation Pad Hardware Kit	1
TOTAL			2

DRAWING NO: RBISN-A		Sheet 1 of 1	
DESCRIPTION: ISOLATION PAD WITH MOUNTING HARDWARE, 2mm/1200kg			
MATERIALS: ASSEMBLY		Scale: NTS	
All Dimensions are in mm [Inches]			
Date	Rev.	ECO #	Des/App
11/28/17	A	-	JS/LH
08/25/20	B	20ECO0008	JZ/BG

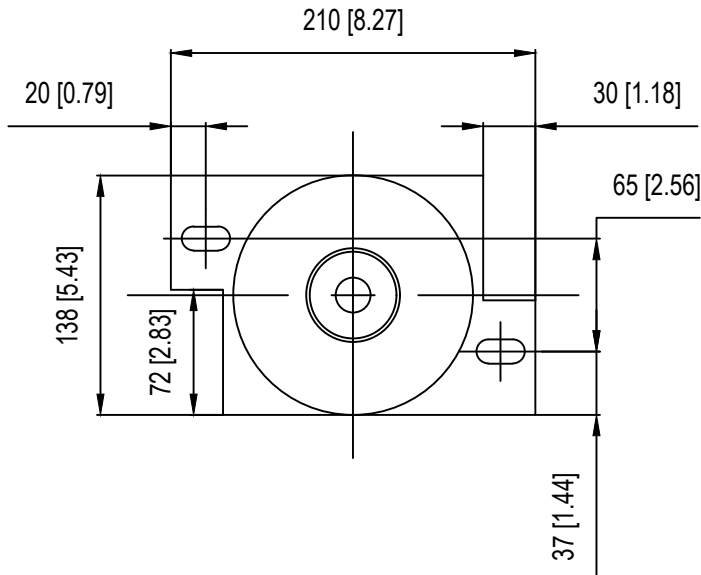
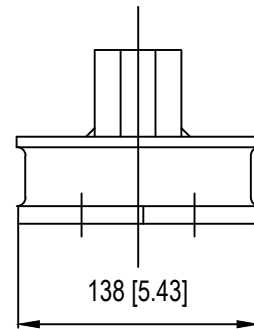
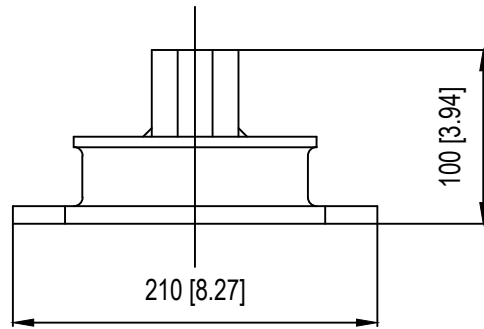
GENERAL TOLERANCES:

<6mm: ±0.1 [0.004]
>6-30mm: ±0.2 [0.008]
>30-120mm: ±0.3 [0.012]
>120-400mm: ±0.5 [0.020]
>400-1000mm: ±8 [0.031]

UNLESS SHOWN OTHERWISE



www.standard-elevator.com
4949 E. Raines Road #101
Memphis, TN 38118
Phone: 1-877-622-2888
Fax: 901-290-1680



Hardware (Isolation Rubber to Big Bedplate)

	Standard	Type	Quantity
1	GB/T5783	Bolt M20*65	1
2	GB/T93	Lock Washer 20	1
3	GB/T853	Wedge Washer 20	1

Hardware (Isolation Rubber to Blocking Beam)

	Standard	Type	Quantity
1	GB/T6170	Nut M12	2
2	GB/T853	Wedge Washer 12	2
3	GB/T93	Lock Washer 12	4
4	GB/T97.1	Flat Washer 12	4
5	GB/T5783	Bolt M12*65	2

Copyright - All information contained in this drawing is property of Standard Elevator Systems LLC

DRAWING NO: RBISN-SRTW		Sheet 1 of 1	
DESCRIPTION: ISOLATION PAD FOR SHORT ROPE TO WALL WITH MOUNTING HARDWARE			
		MATERIALS: ASSEMBLY	Scale: NTS
All Dimensions are in mm [Inches]			
Date	Rev.	Des. By	App. By
01/21/19	-	Ahmed E.	Lee H.

GENERAL TOLERANCES:

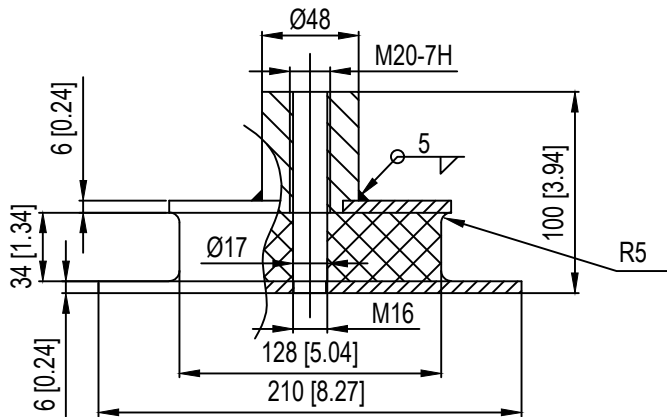
- <6mm: ±0.1 [0.004]
- >6-30mm: ±0.2 [0.008]
- >30-120mm: ±0.3 [0.012]
- >120-400mm: ±0.5 [0.020]
- >400-1000mm: ±8 [0.031]

UNLESS SHOWN OTHERWISE

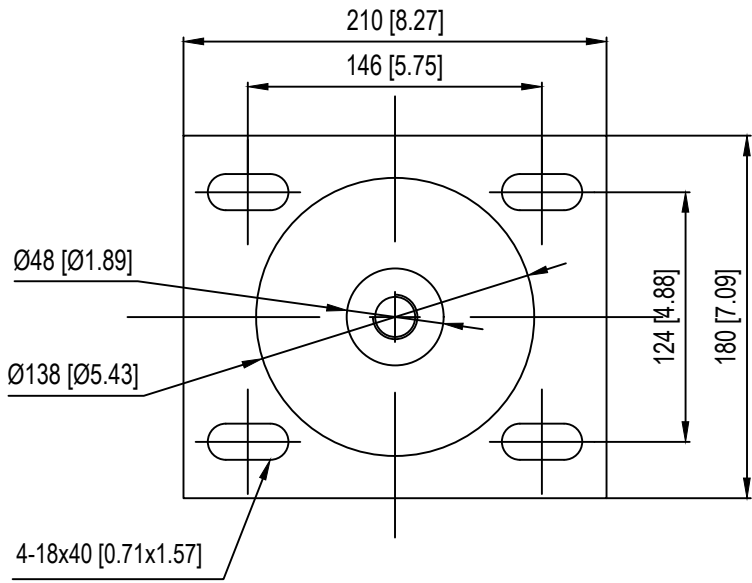
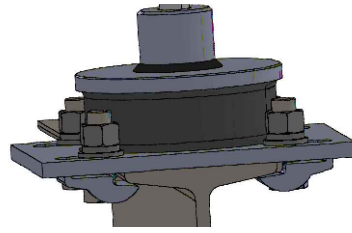


www.standard-elevator.com
 4949 E. Raines Road #101
 Memphis, TN 38118
 Phone: 1-877-622-2888
 Fax: 901-290-1680

Part #	Hardness	Deformation	Adhesion Strength
RBISN-AA	HS 82±5	1mm/1000kg	≥ 25 kg/cm ²



FRONT VIEW



PLAN VIEW

Note:
Black surface finishing

Copyright - All information contained in this drawing is property of Standard Elevator Systems LLC

BILL OF MATERIAL			
SR.	PART #	DESCRIPTION	QTY
1	RBISN-AA	Isolation Pad	1
2	HDW-ISO-KIT	Isolation Pad Hardware Kit	1
TOTAL			2

DRAWING NO: RBISN-AA		Sheet 1 of 1	
DESCRIPTION: ISOLATION PAD WITH MOUNTING HARDWARE, 1mm/1000kg			
		MATERIALS: ASSEMBLY	Scale: NTS
All Dimensions are in mm [Inches]			
Date	Rev.	ECO #	Des/App
08/25/20	A	20ECO0008	JZ/BG

GENERAL TOLERANCES:
 <6mm: ±0.1 [0.004]
 >6-30mm: ±0.2 [0.008]
 >30-120mm: ±0.3 [0.012]
 >120-400mm: ±0.5 [0.020]
 >400-1000mm: ±8 [0.031]



www.standard-elevator.com
 4949 E. Raines Road #101
 Memphis, TN 38118
 Phone: 1-877-622-2888
 Fax: 901-290-1680

UNLESS SHOWN OTHERWISE